

# Control Line Fluid Loading Procedure

## 1 Remove syringes from packaging.

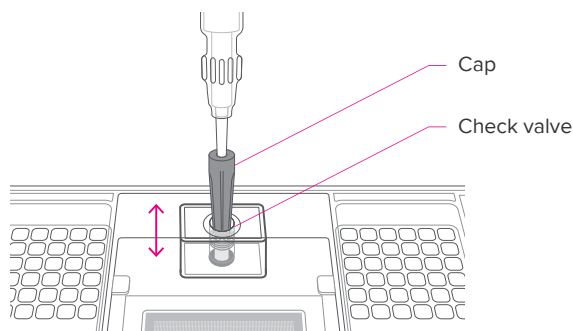
**IMPORTANT** Do not evacuate air from syringes prior to injecting control line fluid (step 4).

The syringes are pre-filled with control line fluid according to a specific IFC (integrated fluidic circuit) type.

IFC Types	Number of Syringes	Volume per Syringe (µL)
<ul style="list-style-type: none"> <li>48.48 Dynamic Array™ (GE or GT)</li> <li>LP 48.48</li> <li>Access Array™ 48.48</li> <li>12.675 Digital Array™</li> <li>48.770 Digital Array™</li> <li>qd 37K™</li> </ul>	2	300
<ul style="list-style-type: none"> <li>96.96 Dynamic Array</li> <li>Flex Six™ (GE or GT)</li> <li>Juno™ 96.96 (GT)</li> <li>Juno LP 192.24</li> </ul>	2	150
192.24 Dynamic Array (GE or GT)	1	150

## 2 Actuate the check valves:

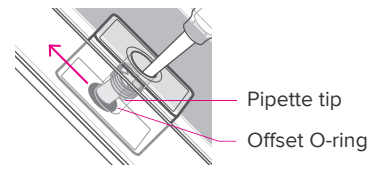
- Place the IFC on a flat surface.
- Use the syringe with the shipping cap in place to actuate both check valves of the IFC with gentle pressure. Ensure that the poppets can move freely up and down.



## 3 Insert the syringe tip into the check valve:

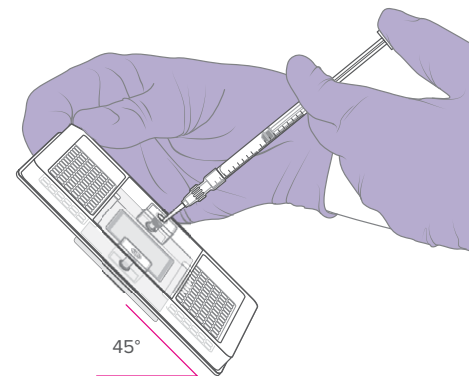
### IMPORTANT

- Control line fluid on the IFC or in the inlets makes the IFC unusable.
- Be careful not to bend the pipette tip.
  - Hold the syringe firmly in one hand with tip facing up and away from the IFC and remove the shipping cap with the other hand.
  - Holding the IFC at a 45° angle, gently insert the syringe tip into the check valve opening. The tip should be fully inserted.
  - Visually confirm that the check valve is open. The O-ring seal at the bottom of the valve should be pushed down and moved to the side.



## 4 Inject control line fluid:

- Inject the control line fluid while maintaining the 45° angle to allow the fluid to flow away from the O-ring.



- Slowly inject the control line fluid by pushing down on the syringe plunger. The control line fluid will flow into the accumulator through the open check valve.
- After fully depressing the plunger, wait ~5 seconds before withdrawing the syringe.
- Check to make sure the O-ring returns to its normal position after the syringe is removed.
- The IFC is now ready for the prime script on the IFC controller. Pipet samples and assays within 60 minutes of the prime step.

**For technical support visit [fluidigm.com/support](https://fluidigm.com/support).**

North America +1 650 266 6100 | Toll-free: 866 358 4354 in the US | [techsupport@fluidigm.com](mailto:techsupport@fluidigm.com) Latin America +1 650 266 6100 | [techsupportlatam@fluidigm.com](mailto:techsupportlatam@fluidigm.com)  
Europe/Middle East/Africa/Russia +44 1223 859941 | [techsupporteurope@fluidigm.com](mailto:techsupporteurope@fluidigm.com) China (excluding Hong Kong) +86 21 3255 8368 | [techsupportchina@fluidigm.com](mailto:techsupportchina@fluidigm.com)  
Japan +81 3 3662 2150 | [techsupportjapan@fluidigm.com](mailto:techsupportjapan@fluidigm.com) All other Asian countries/India/Australia +1 650 266 6100 | [techsupportasia@fluidigm.com](mailto:techsupportasia@fluidigm.com)

---

**For Research Use Only. Not for use in diagnostic procedures.**

Information in this publication is subject to change without notice. **Safety data sheet information:** [fluidigm.com/sds](https://fluidigm.com/sds). **Patent and license information:** [fluidigm.com/legalnotices](https://fluidigm.com/legalnotices). **EU's WEEE directive information:** [fluidigm.com/compliance](https://fluidigm.com/compliance). Fluidigm, the Fluidigm logo, Digital Array, Dynamic Array, Flex Six, and Juno are trademarks or registered trademarks of Fluidigm Corporation in the United States and/or other countries. All other trademarks are the sole property of their respective owners.  
© 2016 Fluidigm Corporation. All rights reserved. 12/2016